

AG-SB-2017-04-B-EN – Cavalon rudder cable wirelocking

Category B

EFFECTIVE DATE

05.05.2017

SUPERSEDES/REPLACES

N/A (initial issue)

APPLICABILITY

This Service Bulletin is applicable for Cavalon, where the turnbuckles in the rudder control cable to the pedals were not wirelocked (see fig.2).

Possible affected serial numbers are V00247 to V00309.

COMPLIANCE

To be performed with the next maintenance or at least within the next 5 operating hours.

BACKGROUND

A case was found where the turnbuckles in the rudder control cable to the pedals were not wirelocked.

The turnbuckles have low axial loading and are secured with engineers paint. Wirelocking is a required additional locking measure.

RISK OF NEGLECT

Failure to comply with this instruction/information will result in:

- Possible damage to the aircraft
- Loss of related warranty.

SCOPE OF WORK

- Inspect that the turnbuckles in the rudder control cable to the pedals were wirelocked.
- Rectification: secure it with lockwire.

AFFECTED AREAS

SPECIAL TOOLS & CONSUMABLE MATERIALS

88-00-00-S-30539 (L1) lockwire

PARTS

n / a

LABOR AND REQUIREMENTS

To check 0,1 h

To rectify 0,1 h

Task may only be performed by an organization or individual trained and entitled to do 'line maintenance'!

SUPPORT POLICY

n / a

REFERENCES

Manufacturer Maintenance Manual (MMM) in latest revision.

DOCUMENTATION

The accomplishment of this Service Bulletin, or the decision of its rejection, must be properly documented, if such procedure is required by the relevant authority.

Warnings Caution and Notes

This instruction uses **WARNINGS**, **CAUTIONS** and **NOTES** in bold italic letters to indicate especially critical and important instructions. The call-outs appear at the top of the Maintenance Job Card if of general nature or applicable for the complete task, or will directly precede the individual Work Step.

The meaning of each call-out is defined below:

WARNING: A warning means that the neglect of the appropriate procedure or condition could result in personal injury or fatal accidents.

CAUTION: A caution means that the neglect of the appropriate procedure or condition could result in damage to or destruction of equipment.

NOTE: A note stresses the attention for a special circumstance, which is essential to emphasize.

Category Codes

- A** Safety critical - failure to comply may result in a significant reduction of flight safety, injury or death
- B** Important - failure to comply may result in reduced safety margin, injury and/or equipment damage
- C** Beneficial - improves operating behaviour, reliability and/or maintainability

COMPLIANCE PROCEDURE

GENERAL, REFERENCES AND REQUIREMENTS

Task may only be performed by an organization or individual trained and entitled to do 'line maintenance'.
Record that the task has been undertaken within the aircraft maintenance records.
Secure gyroplane against unauthorized or unintended operation.

SPECIAL TOOLS, CONSUMABLE MATERIALS AND PARTS

SP IMPORTANT NOTE: Procedure involves spare parts. Check parts list below for ordering details of affected components!
88-00-00-S-30539 (L1) lockwire

PRECAUTIONS AND SAFETY MEASURES

CAUTION: Failure to comply with this instruction will cause the loss of warranty referred and/or related components!

PROCEDURES

- 1 Remove the coverplate in the footwell to the rudder control cable.
- 2 Inspect that the turnbuckles in the rudder control cable to the pedals were wirelocked.
- 3 Rectification: (if necessary drill a 1.5-2mm diameter hole in the cable end terminal as shown in the drawing (see fig.1), taking care to centralise the hole. Deburr, and remove waste from aircraft) secure it with lockwire.
- 4 refit the coverplate in the footwell.

PARTS LIST

Fig.	Pos.	Description	PC	PIT	Remark
		none			

ILLUSTRATIONS

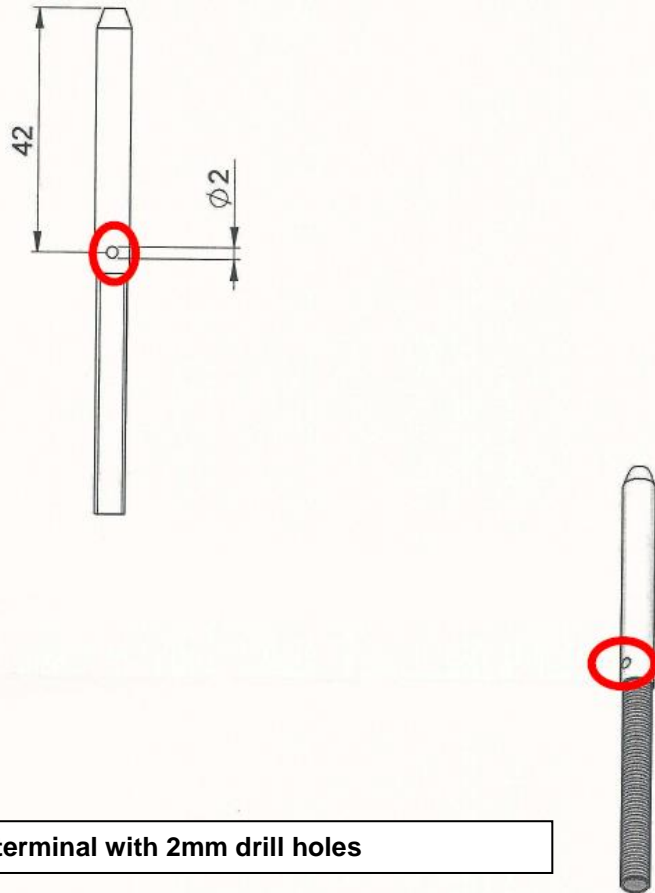


Fig. 1: stud terminal with 2mm drill holes

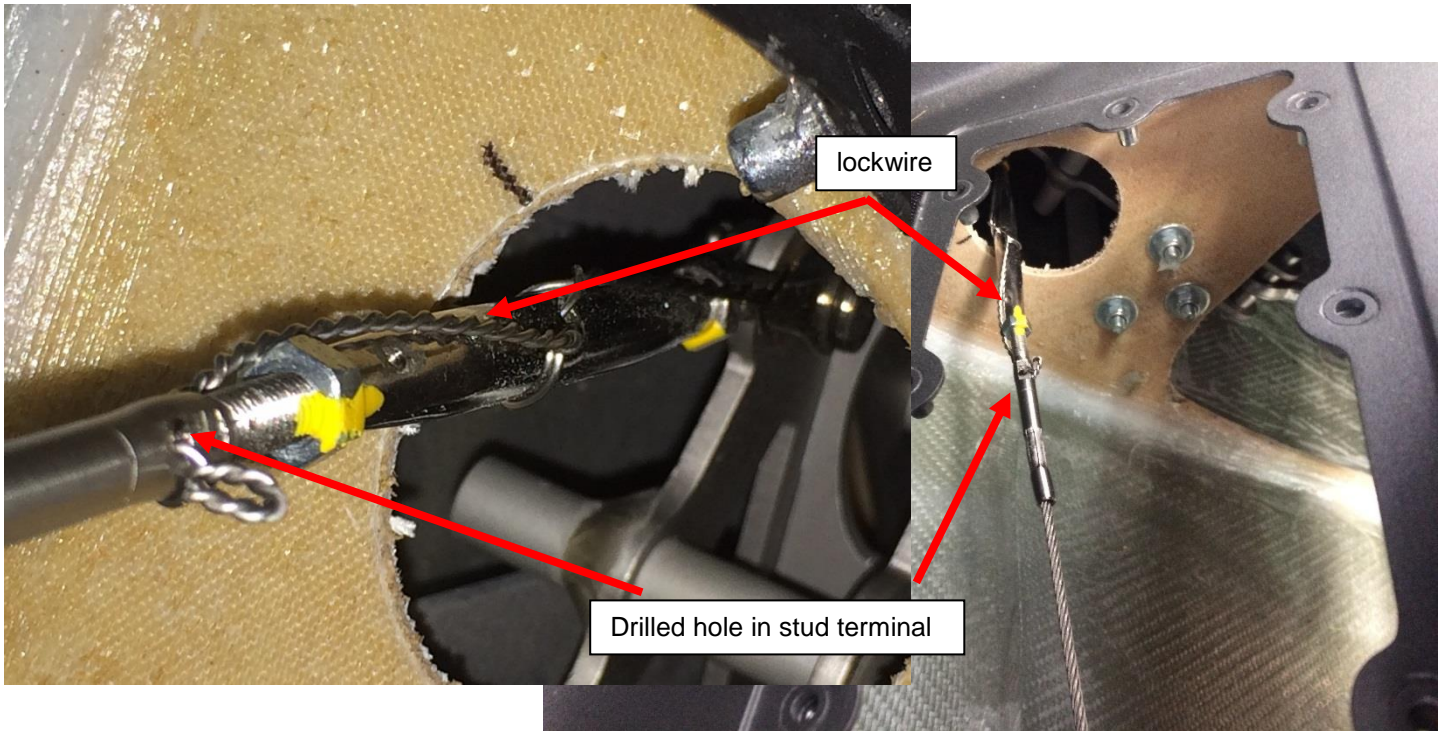


Fig. 2: wirelocked turnbuckle in the rudder control cable